



Electric mover Robik Q30



Patented pending

SATES
Electric Handling

Data Sheet

General Features	
Model Name	Robik Q30 Radio Control
Manufacturer	SATES di Salvò Luca – Division SATES Electric Handling
Description	Electric mover, tow and pusher
Power supply	Electric
Plant tension	24 V
Nominal power	1360 WATT
CE certification	✓
CE marking on rear right-hand side	
Frame characteristics	
Frame made of	Steel
Frame treatment	Polyester powder coating
Carter	Steel, painted with epoxy powder
Special Treatment	Cataphoresis (on customer demand only)
Special Carter	stainless steel 316 (on customer demand only)
Colour	Anthracite grey and orange
Safety data	
Operator is distant from the area affected by operations	Radio control
Light signalling of movement	Flashing light
Disengagement device on machine	Emergency button
Power supply disconnection device/ Emergency stop	Radio control
Acoustinc signaling Cicalino	Beeper
Electro-magnetic parking braking	2 brakes (8N x 2 = 16N braking power)
Drive controls	Maintained action switch
Handarm vibration	Absent
Noise level at operator's ear (Beeper)	dB < 45-90
Wheel covers (moves foot)	2 (on customer demand only)
Performances	
Max. forward speed	3-4 km/h
Max. backward speed	3-4 km/h
Vertical lifting on flat ground	+/- 3.000 kg
Lift capacity on flat ground* (with vertical load min 500 kg)	+/- 490 kg 4.805(N)
Towing capacity on flat ground ** (with vertical load min 500 kg)	+/- 450 kg 4.412 (N) about 10-40 tons
Max. slope with load	12 %
Max. load force at the lifting plate	130 N
Stopping distance in deceleration (without load) with adequate grip	300mm
* Load capacity is subject to kind of slope, kind of floor and operating time	
**While the force expressed in N at the lifting plate remains unchanged, the towing capacity in tons can vary substantially from the nominal value reported here, depending on the type of soil on which the towing is carried out, on the type, number and condition of wheels fitted to the trailer, on the presence of any gradients and friction present and generated in the system	
Towbar (on customer demand only)	DE 70 (KN 23) Load kg 150Kg (KN 23)
Back ballast (on customer demand only)	Total kit weight 172 Kg (kit= n°9 plate each of 18 kg)
Lifting	
Electro-hydraulic pump	1
Voltage	24 Volt CC
Tank capacity	5 L
Type of oil	Shell Telus 46/Mobil/dte25
Operating temperature	-10°/40°C
% umidity	max 80%
Hydraulic cylinder (special custom made)	1
Safety valve drop load	yes
Electric block arm stroke	YES
Drive control	
Driving type	Radio remote controlled
Forward/Reverse control	Joystick
Speed adjustment	Joystick
Steering	Joystick
Lifting	Joystick
Emergency stop	On console
Start	Connection to the unit

Battery specifications

Batteries	n°2
Battery Type Abt Power Cycle Free Maintenance	Traction – Dry Deep Cycle GEL
Battery voltage	24 V
OPTION A Nominal capacity c20/h	n°2 batteries each of 12 V - 100 Ah
OPTION B Nominal capacity c20/h (on demand only)	n°2 batteries each of 12 V - 140 Ah
Weight of each battery	About 31-39 Kg
Average autonomy per continuous service	3-4 h*

* This value may change depending on the specific use for which Robik is intended, on the friction during the handling phase, on the number and frequency of manoeuvres, on the surface where the manoeuvre is made and the gradients present. For all these reasons to have a more precise data on the autonomy of Robik, the potential user must provide as much information as possible about the environment and on the type of use to which Robik will be subject, on the trolley to be moved and on any instruments to be used. This information is also needed to assess alternative types of storage.

Technical data charger High Efficiency Low consumption

Battery charger	External – high frequency
Input voltage	230 V
Input frequency	50-60 Hz
Charger time	+/- 8 h
Battery charger capacity	+/- 25 Ah
Power consumption during complete charge cycle	Max 5 kWh
Operating temperature	-20°
Operation display	Led
Input fuse	16 A
Cooling system	Ventilation cooling
IP degrees of protection	IP20
Width	180 mm
Length	290 mm
Height	85 mm

Technical data motor

Motor	2 electric motors
Engine Voltage	24 V
Service electro magnetic brake	n°2 (10 N x 2= 20 N total brake power)
IP degrees of protection	IP 65
Transmission system	Mechanical
Transmission lubrication	In oil bath
Gear reduction	1:20

Dimensions (see technical drawing)

Length	1540mm
Width	710 mm
MIN Height Loading Platform	226 mm
MAX Height Loading Platform	522 mm
Wheelbase	576 mm
Turning circle	360°
Weight	350 kg

Optional wheels

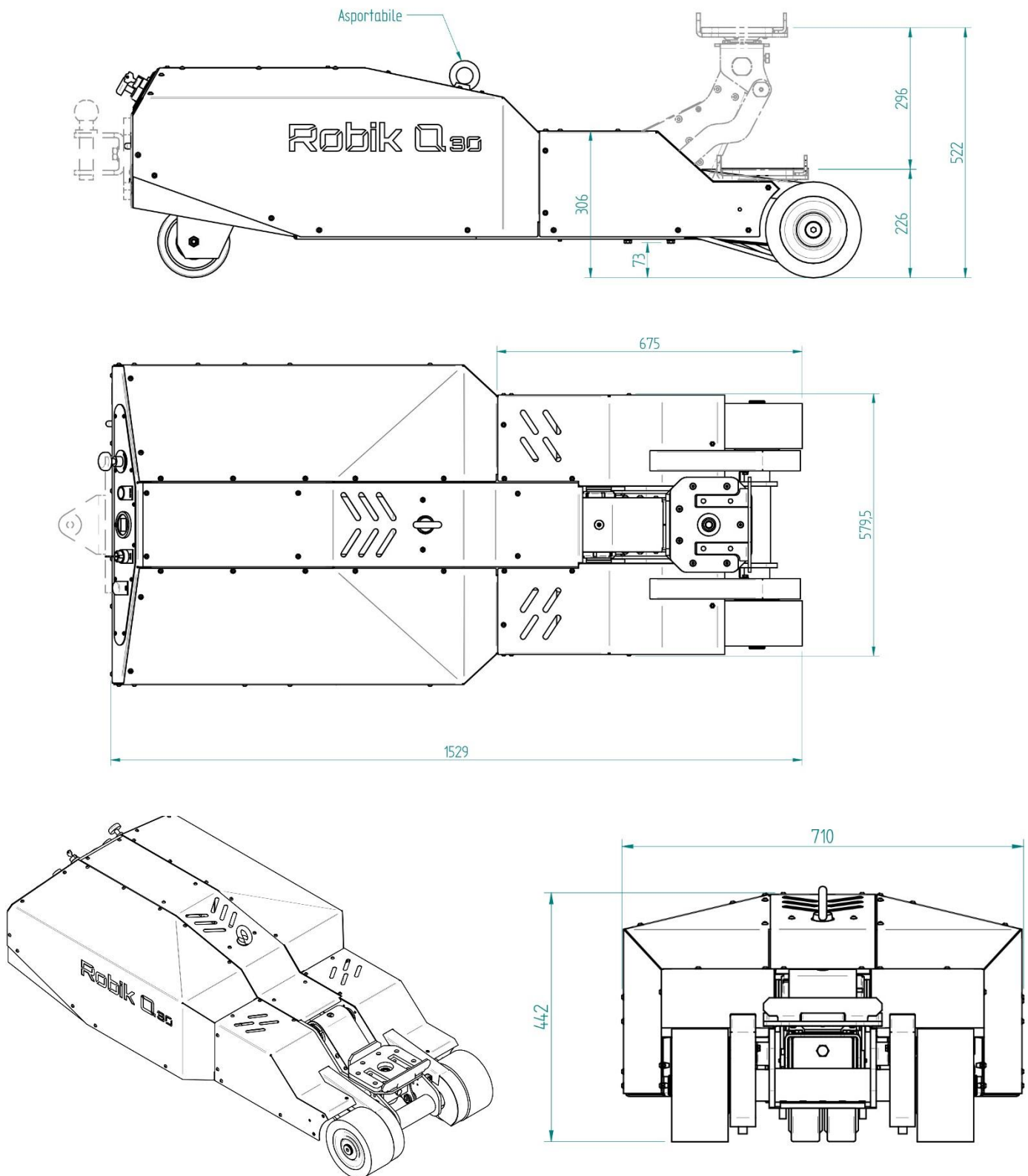
Hub + sprocket	n°2 steel c45
Drive wheels Cuscion Technic Material Shore A 95 High Flow	1 twin wheels 2000 kg
Pivoting wheels Technic Material Shore A 92 High Flow	1 twin wheels 2800 kg
Dimensions drive wheels	200/50 x 2
Pivoting wheels super elastic	150/80 x 2

Standard wheels

Drive wheels super elastic polyurethane	150/100 x 2
---	-------------

PLEASE NOTE the reported data may change over time, variants can also be inserted to increase performance or otherwise improve Robik

Technical drawing



PLEASE NOTE the reported data may change over time

SATES di Salvò Luca

Via dell'Artigianato, 36 - 35020 Casalserugo (PD)

TEL. 049 643487 - FAX 049 8749686 - SDI M5UXCR1

www.robik.it - supporto@robik.it

SATES
Electric Handling